

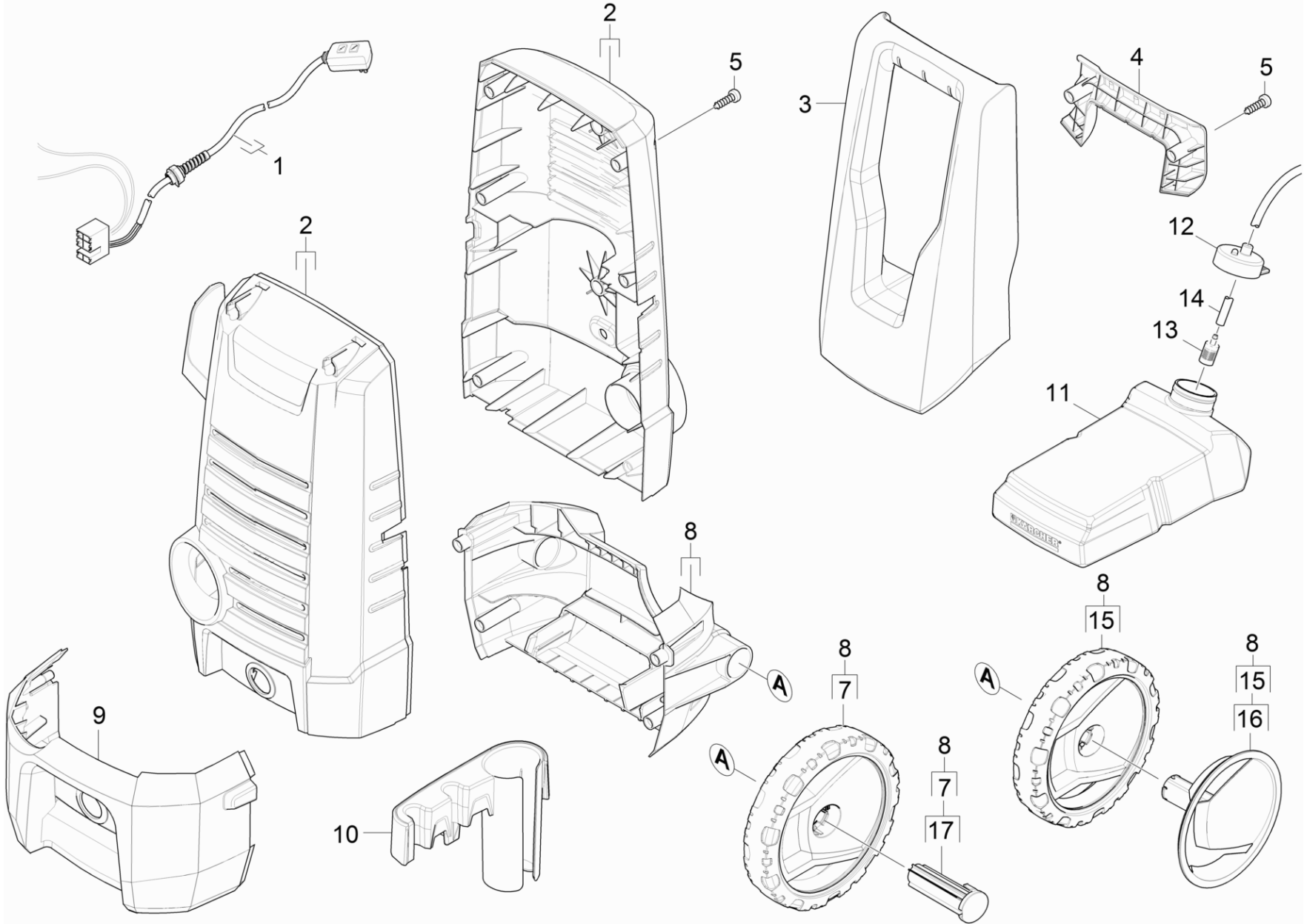
Spare parts list
(5.971-084.0) Spare parts list K 2.360 * (K2 FAMILY)

Table of contents

Spare parts list K 2.360 * (K2 FAMILY) (5.971-084.0)	6
10 Housing.....	7
20 Pump set.....	10
21 Housing.....	11
22 Thrust guidance.....	13
30 Motor.....	15
50 Accessories.....	17
41 Hand trigger gun.....	18
4 HK 7.5 high pressure hose set (2.641-828.0).....	20
42 Hand trigger gun.....	22
43 Hand trigger gun.....	24
44 Hand trigger gun.....	26
45 Jet pipe.....	28
46 Surface cleaner.....	30

Spare parts list K 2.360 * (K2 FAMILY) (5.971-084.0)

Pos	Name	Qty.	Unit
10	Housing	1.000	ST
20	Pump set	1.000	ST
30	Motor	1.000	ST
50	Accessories	1.000	ST



10 Housing

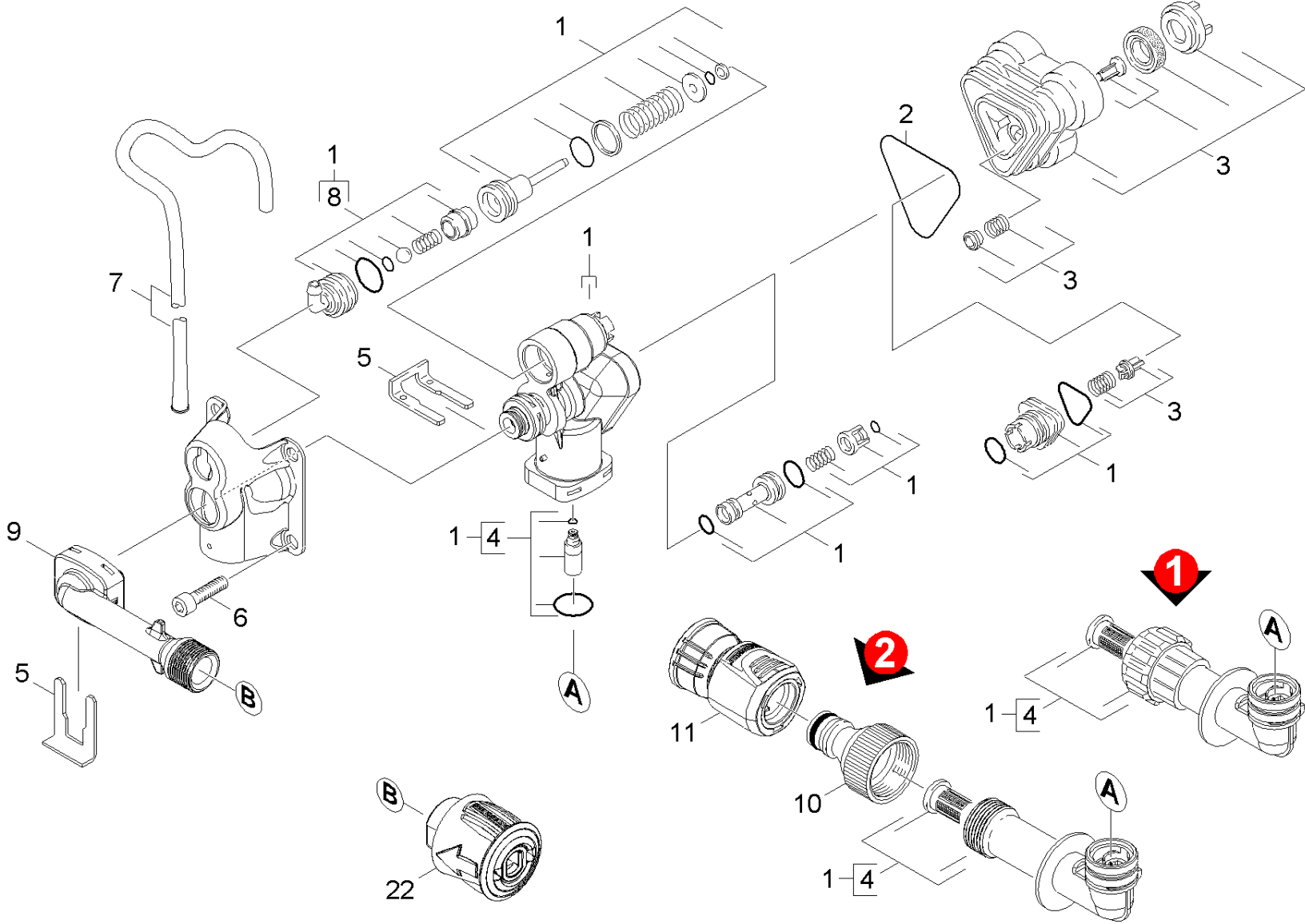
ET/VT (spare/wear parts)	Pos	Material #	Name	Qty.	Unit	Footnote text
	1	9.755-330.0	Cable complete with multi-connector*CA	1.000	ST	
Position text: 1.601-697.0						
	1	9.755-185.0	Cable complete replacement	1.000	ST	
Position text: 1.601-670.0 /-680.0 /-681.0 /-694.0/-695.0						
	2	9.755-434.0	Housing pair K2 family spare part	1.000	ST	
Position text: 1.601-670.0						
	2	9.755-435.0	Housing pair K2 family with holder spare	1.000	ST	
Position text: 1.601-680.0 /-681.0 /-694.0 /-695.0/-697.0						
X-X	3	9.755-188.0	Hand grip	1.000	ST	
	4	9.760-648.0	Covering cap	1.000	ST	
X	5	9.086-173.0	Screw Hi-Lo d.4x22 Torx-d.7,5	8.000	ST	
	7	9.755-111.0	Wheel set 160	1.000	ST	SET OF 2 PIECES
Position text: 1.601-680.0 /-694.0 /-697.0						
	8	9.755-063.0	Bumper with wheel	1.000	ST	
Position text: 1.601-680.0 /-681.0 /-694.0 /-695.0/-697.0						
	9	9.755-235.0	Bumper front spare part (with tank) K2 F	1.000	ST	
Position text: 1.601-680.0 /-681.0 /-694.0 /-695.0/-697.0						
	10	9.760-538.0	Holder accessories	1.000	ST	
Position text: 1.601-680.0 /-681.0 /-694.0 /-695.0/-697.0						
X	11	9.755-247.0	Tank cleaning agents spare part K2 famil	1.000	ST	
Position text: 1.601-681.0 /-694.0 /-695.0 /-697.0						
	12	9.760-653.0	Cover tank cleaning agents	1.000	ST	
Position text: 1.601-681.0 /-694.0 /-695.0 /-697.0						
X	13	5.731-652.0	Filter with weight	1.000	ST	
Position text: 1.601-681.0 /-694.0 /-695.0 /-697.0						

10 Housing

ET/VT (spare/wear parts)	Pos	Material #	Name	Qty.	Unit	Footnote text
	14	6.388-216.0	Hose DN 5	1.000	M	TO ORDER AS CUT GOODS
Position text: 1.601-681.0 /-694.0 /-695.0 /-697.0						
X-X	15	4.515-282.0	Wheel set replacement 160 Hummer	1.000	ST	SET OF 2 PIECES
Position text: 1.601-681.0 /-694.0 /-695.0 /-697.0						
	16	4.515-289.0	Screen for replacement 160 Hummer	1.000	ST	SET OF 2 PIECES
Position text: 1.601-681.0 /-694.0 /-695.0 /-697.0						
	17	9.755-171.0	Plug wheel 160	2.000	ST	

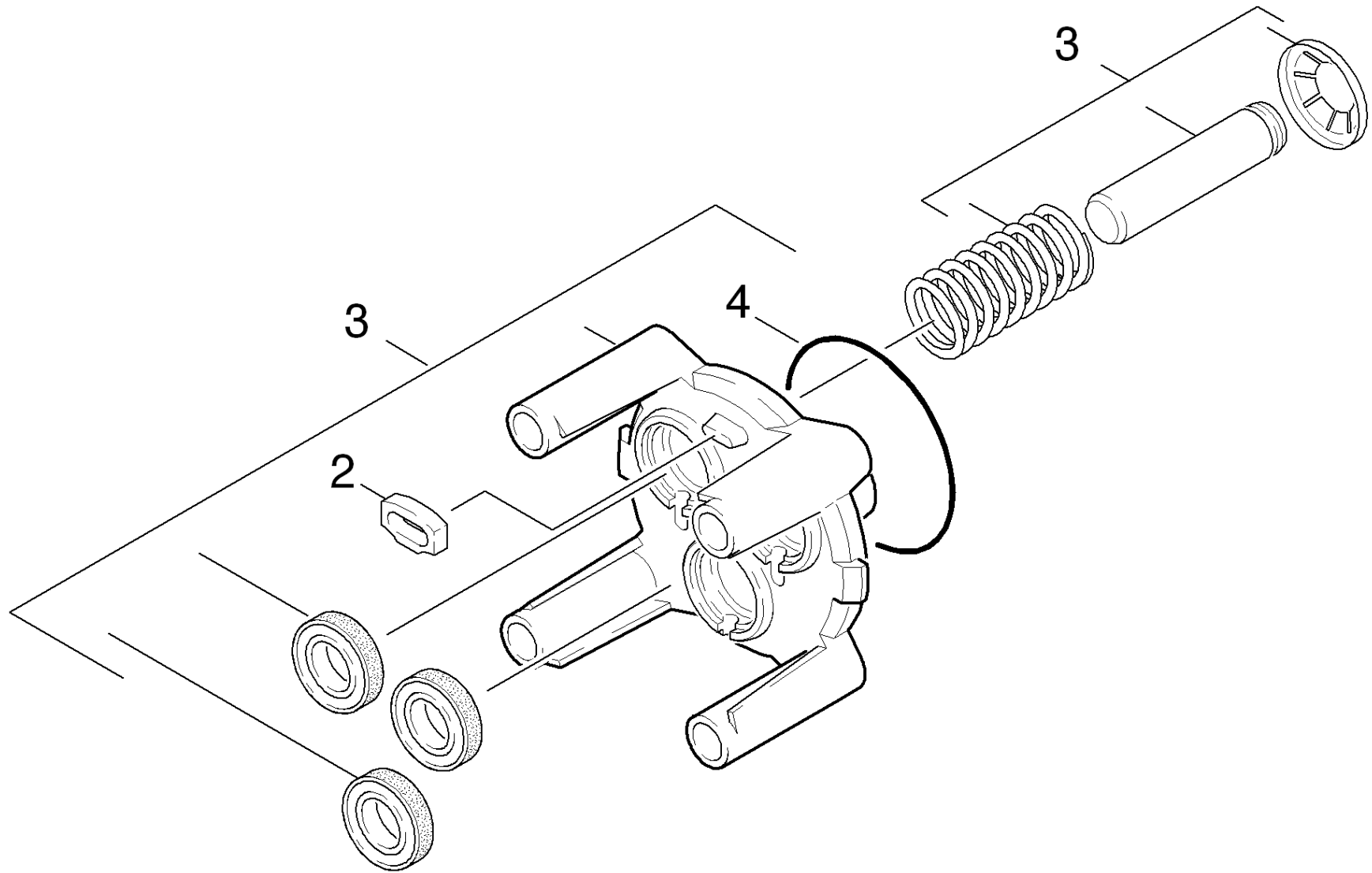
20 Pump set

Pos	Name	Qty.	Unit
21	Housing	1.000	ST
22	Thrust guidance	1.000	ST



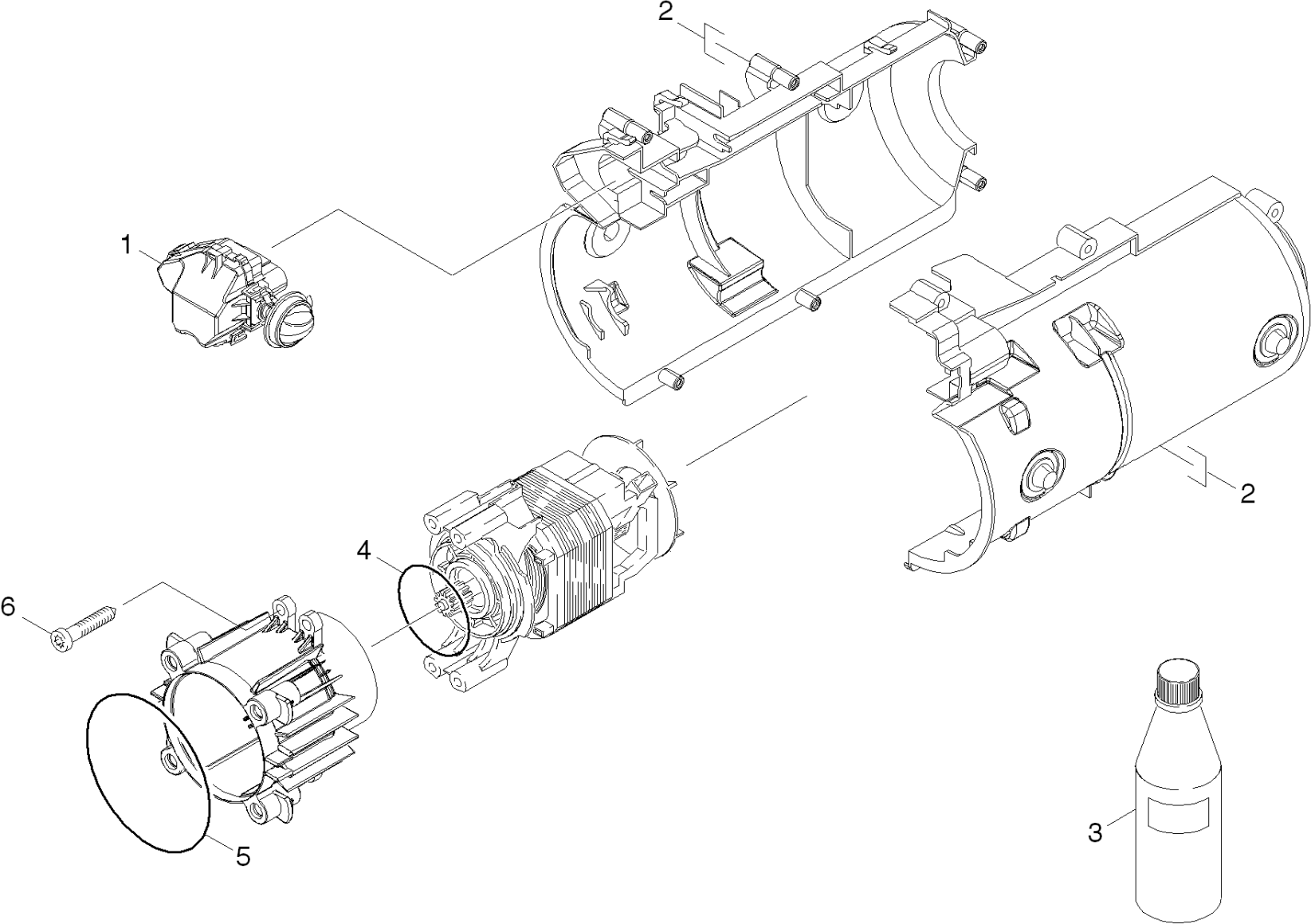
21 Housing

ET/VT (spare/wear parts)	Pos	Material #	Name	Qty.	Unit	Footnote text
X	1	9.755-062.0	Housing complete replacement K2 Family	1.000	ST	VERSION 1
X-X	1	9.755-084.0	Housing complete replacement K2-fam.*BR/	1.000	ST	VERSION 2
X-X	2	9.081-422.0	Form seal	1.000	ST	
X-X	3	9.755-020.0	H.P. head complete Spare Part	1.000	ST	
	4	9.755-061.0	Suction connection complete replacement	1.000	ST	VERSION 1
	4	9.755-083.0	Suction connection complete replacement	1.000	ST	VERSION 2
	5	9.039-148.0	Metal fork	2.000	ST	
	6	7.306-151.0	Cylinder head screw M8x65 -8.8-A2E ISO4	4.000	ST	
	7	9.011-911.0	Filter cleaning agents W107/207	1.000	ST	
X-X	8	9.001-741.0	FRONT HOUSING MODULAR COMPACT	1.000	ST	
X-X	9	9.755-172.0	Connection delivery side	1.000	ST	
X-X	10	6.465-031.0	Connection 3/4	1.000	ST	
	11	4.645-365.0	Coupler with label complete	1.000	ST	
X-X	12	4.470-041.0	High pressure quick-fitting pipe union A	1.000	ST	



22 Thrust guidance

Pos	Material #	Name	Qty.	Unit	from ser.nr.	up to ser.nr.
2	9.048-071.0	Spacer - Seal	1.000	ST	0000000000	0000000000
3	9.755-018.0	Piston guidance complete replacement	1.000	ST	0000000000	0000000000
4	6.363-339.0	O-Ring seal 60x2,5 -NBR 80	1.000	ST	0000000000	0000000000

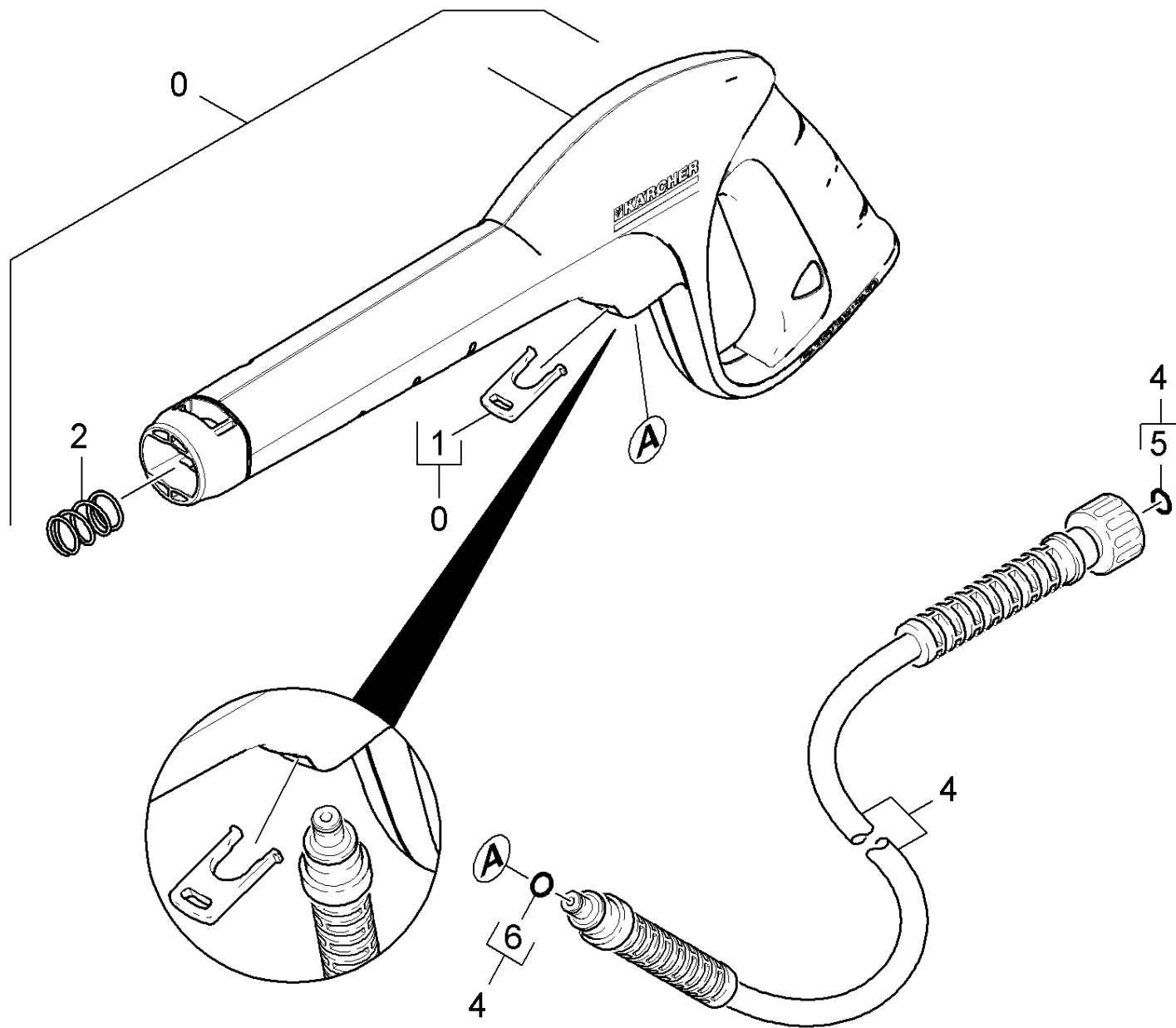


30 Motor

Pos	Material #	Name	Qty.	Unit	from ser.nr.	up to ser.nr.
1	9.755-342.0	Electric box complete replacement K 2.26	1.000	ST	0000000000	0000000000
2	9.755-030.0	Housing motor replacement V0 (CEN)	1.000	ST	0000000000	0000000000
3	6.288-112.0	Engine oil 1L	1.000	ST	0000000000	0000000000
4	6.363-340.0	O-Ring 50 x 2,2 NBR 80	1.000	ST	0000000000	0000000000
5	6.363-339.0	O-Ring seal 60x2,5 -NBR 80	1.000	ST	0000000000	0000000000
6	6.303-260.0	Screw 5x26,4	4.000	ST	0000000000	0000000000

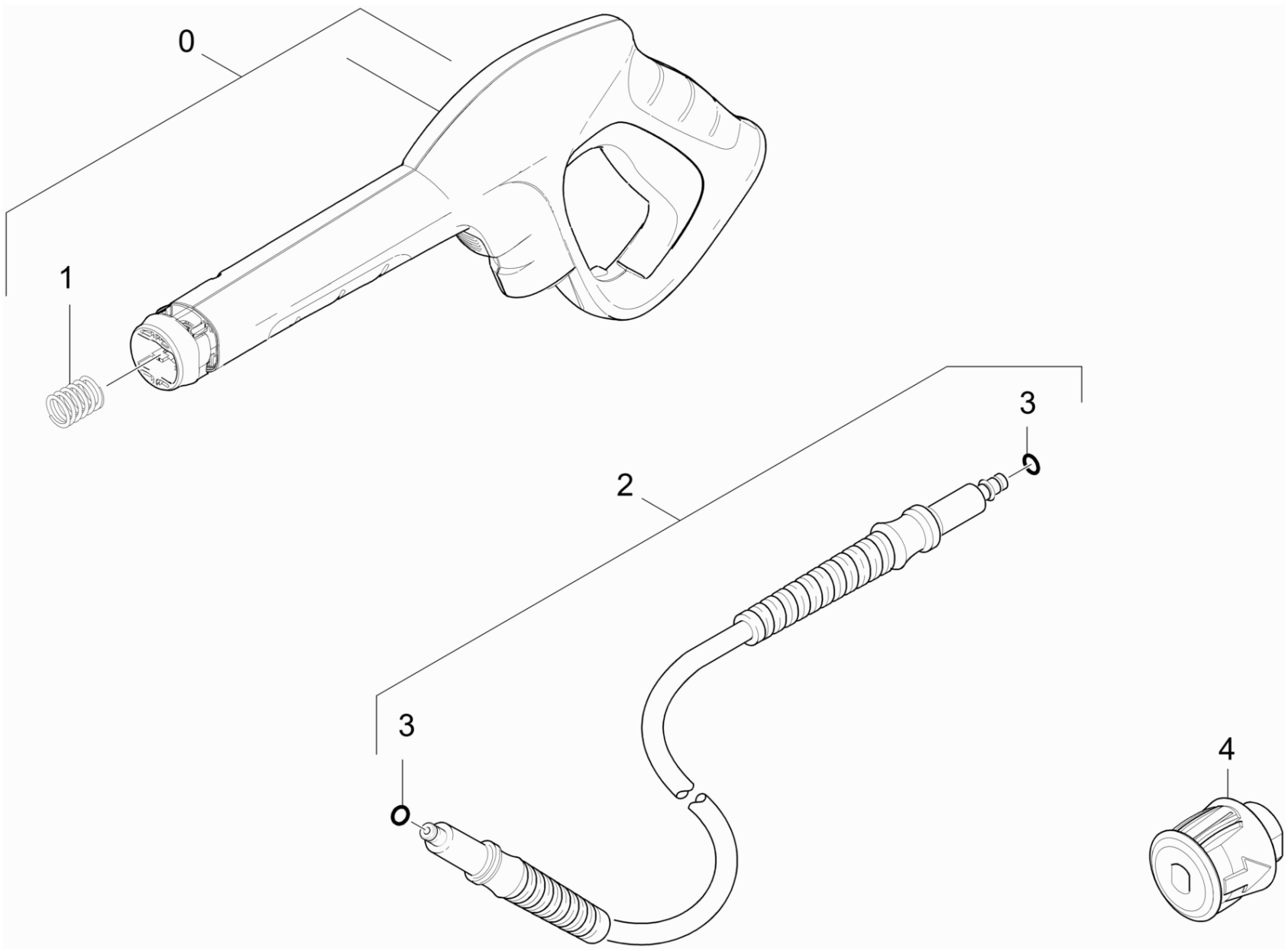
50 Accessories

Pos	Name	Qty.	Unit	Footnote text
41	Hand trigger gun	1.000	ST	VERSION 1
42	Hand trigger gun	1.000	ST	VERSION 2
43	Hand trigger gun	1.000	ST	VERSION 3
44	Hand trigger gun	1.000	ST	VERSION 4
45	Jet pipe	1.000	ST	
46	Surface cleaner	1.000	ST	



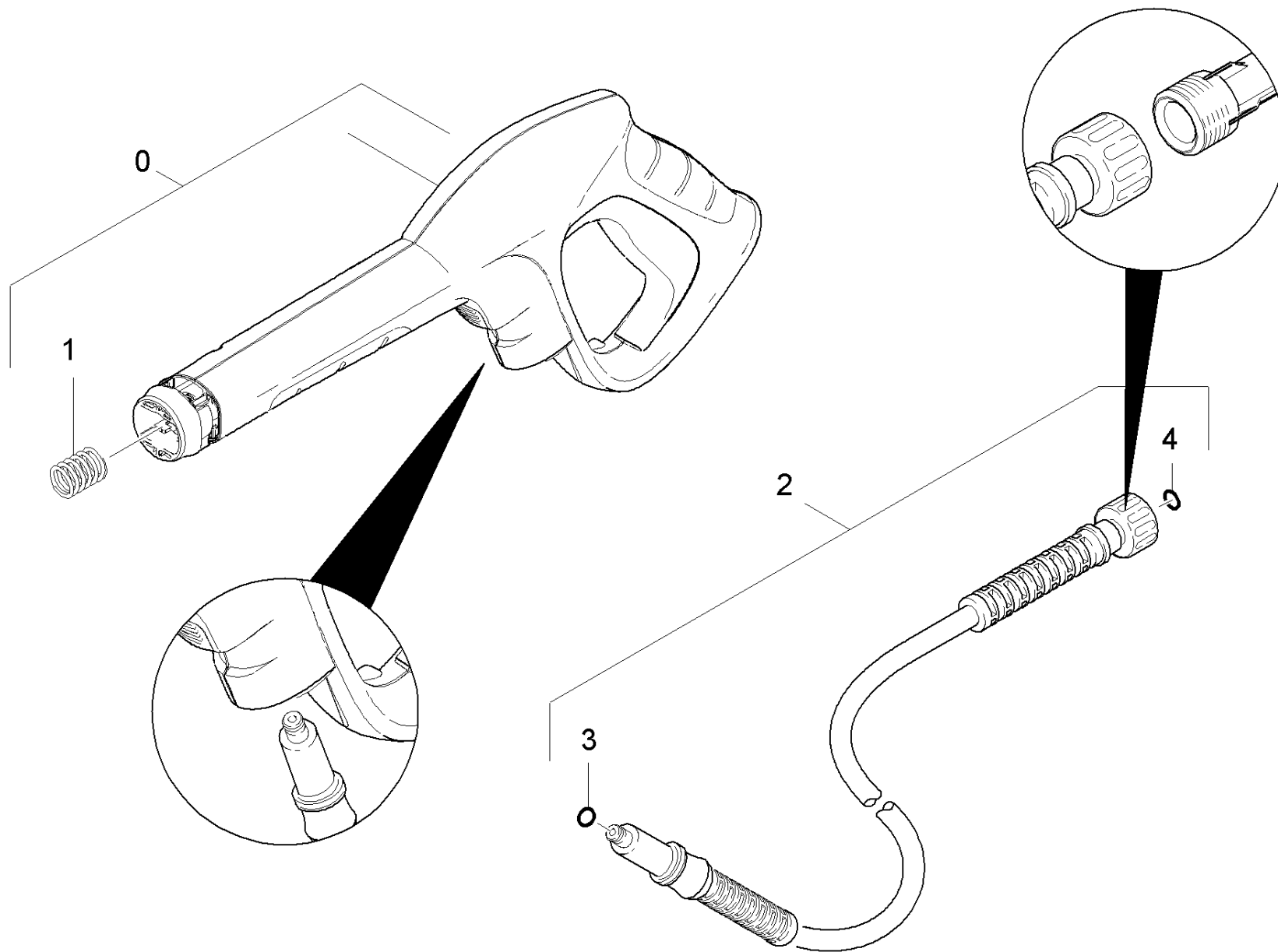
41 Hand trigger gun

ET/VT (spare/wear parts)	Pos	Material #	Name	Qty.	Unit
X-X	0	2.641-959.0	G 160 pistol	1.000	ST
X-X	1	5.037-185.0	Clamp	1.000	ST
	2	5.332-464.0	Pressure spring	1.000	ST
X-X	4	2.641-828.0	HK 7.5 high pressure hose set	1.000	ST
X-X	5	2.880-990.0	Spare part set O-Ring 5x -Kaercher	1.000	ST
X-X	6	6.362-498.0	O-Ring seal 6,75x1,78 NBR 70	1.000	ST



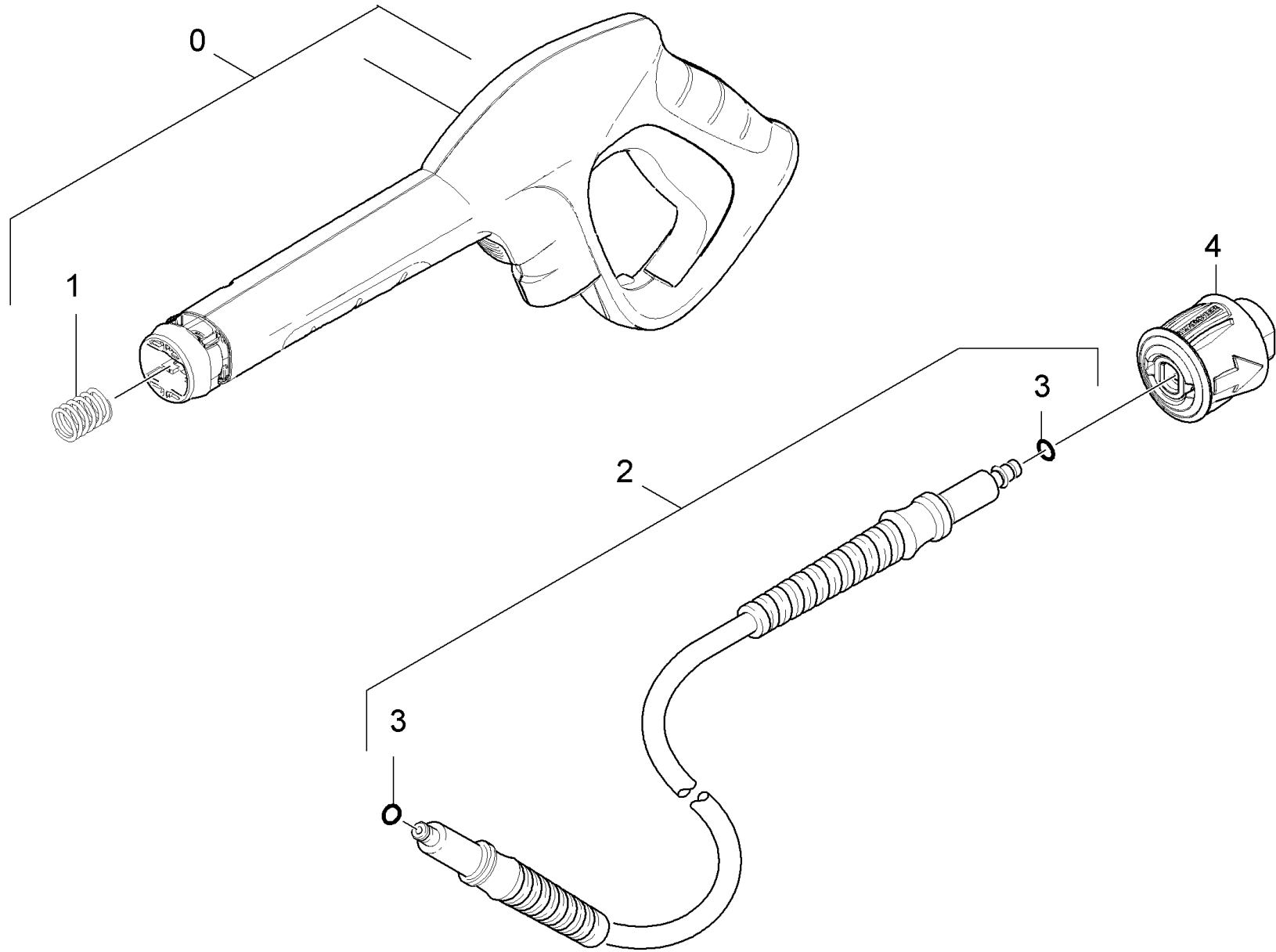
4 HK 7.5 high pressure hose set (2.641-828.0)

ET/VT (spare/wear parts)	Pos	Material #	Name	Qty.	Unit
X-X	0	2.642-172.0	G 160 Q pistol Quick Connect	1.000	ST
	1	5.332-464.0	Pressure spring	1.000	ST
X-X	2	2.641-721.0	H 9 Q high pressure hose Quick Connect	1.000	ST
X-X	3	6.363-410.0	O-Ring seal 5,7x1,78 NBR 90Shore	2.000	ST
X-X	4	4.470-041.0	High pressure quick-fitting pipe union A	1.000	ST



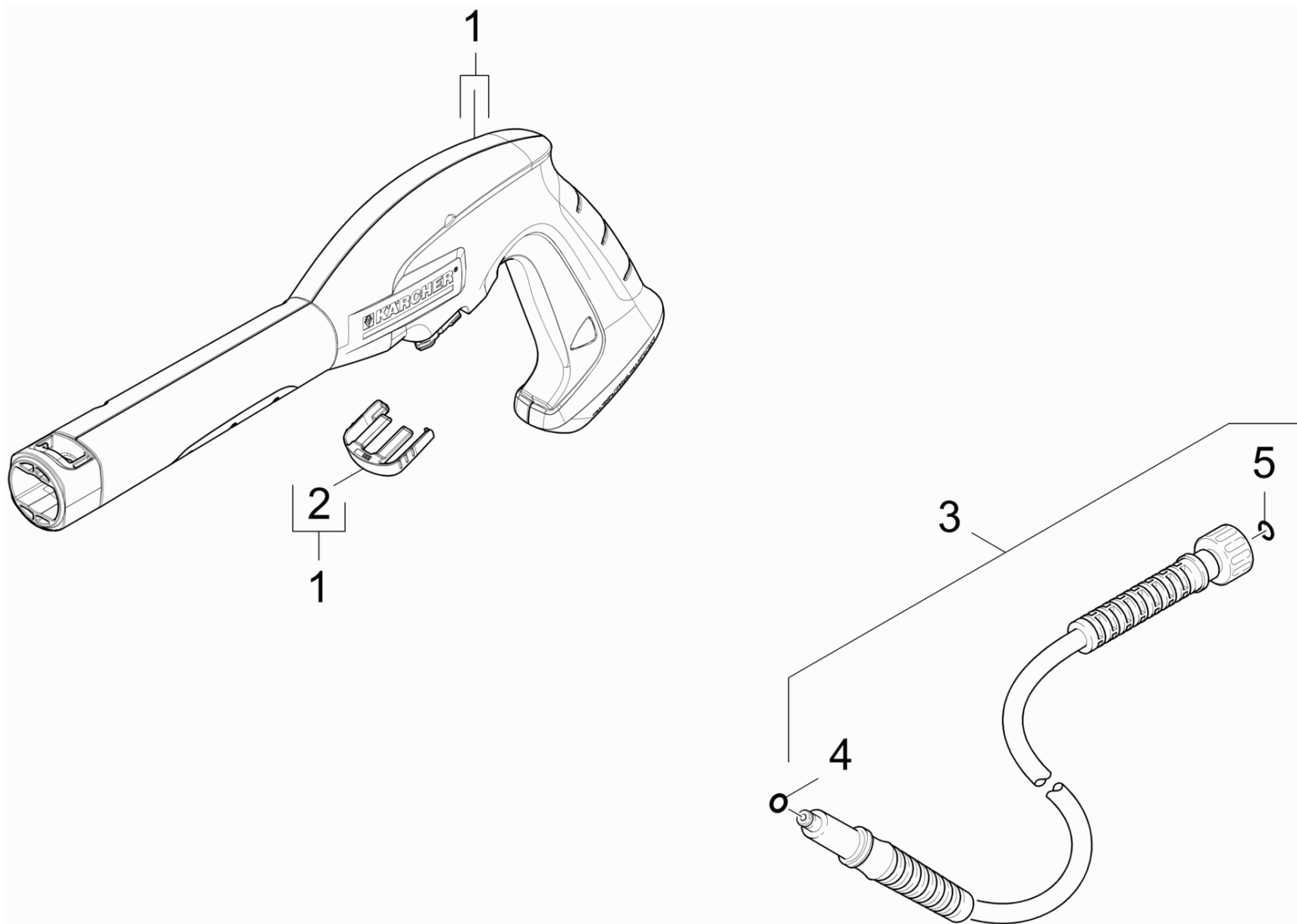
42 Hand trigger gun

ET/VT (spare/wear parts)	Pos	Material #	Name	Qty.	Unit
X-X	0	2.642-172.0	G 160 Q pistol Quick Connect	1.000	ST
	1	5.332-464.0	Pressure spring	1.000	ST
X	2	6.392-352.0	High pressure hose 12MPa/7.5 40°C NQC B	1.000	ST
X-X	3	6.363-410.0	O-Ring seal 5,7x1,78 NBR 90Shore	1.000	ST
X-X	4	2.880-990.0	Spare part set O-Ring 5x -Kaercher	1.000	ST



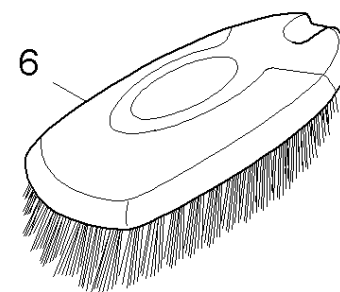
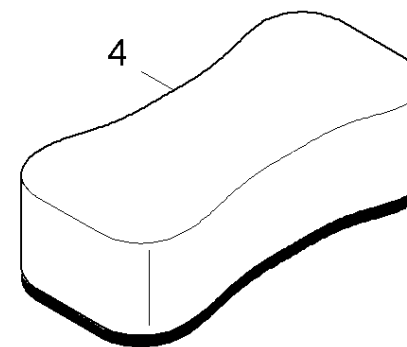
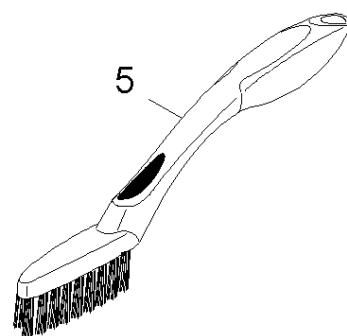
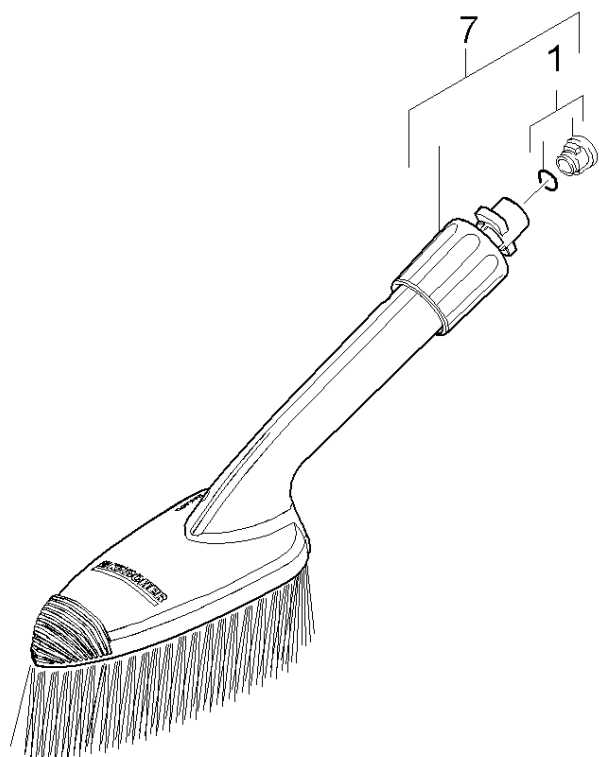
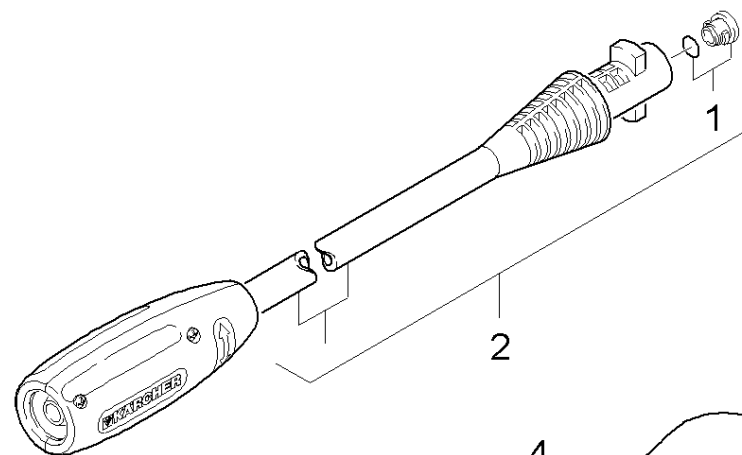
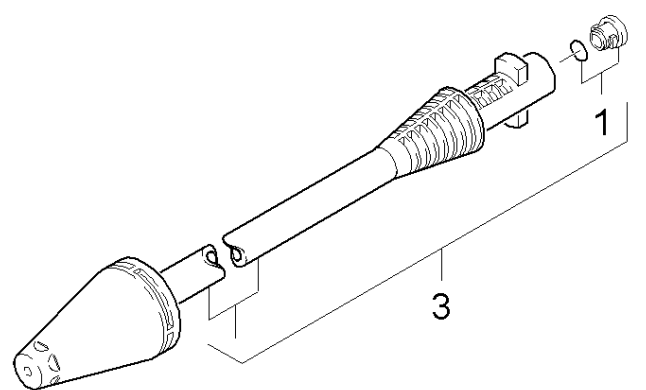
43 Hand trigger gun

ET/VT (spare/wear parts)	Pos	Material #	Name	Qty.	Unit
X-X	0	2.642-172.0	G 160 Q pistol Quick Connect	1.000	ST
	1	5.332-464.0	Pressure spring	1.000	ST
	2	6.392-966.0	High pressure hose 12MPa/10 40°C QC B	1.000	ST
X-X	3	6.363-410.0	O-Ring seal 5,7x1,78 NBR 90Shore	2.000	ST
X-X	4	4.470-041.0	High pressure quick-fitting pipe union A	1.000	ST



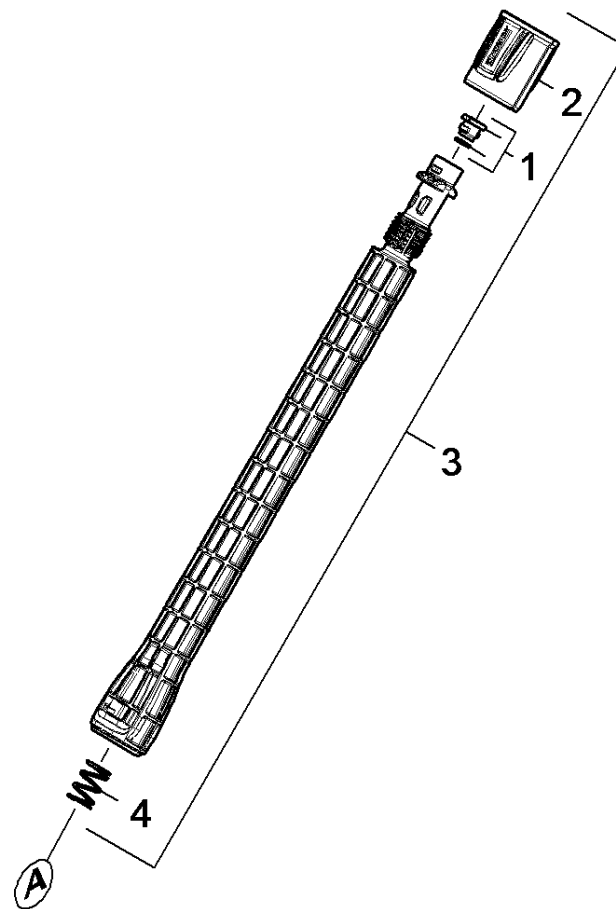
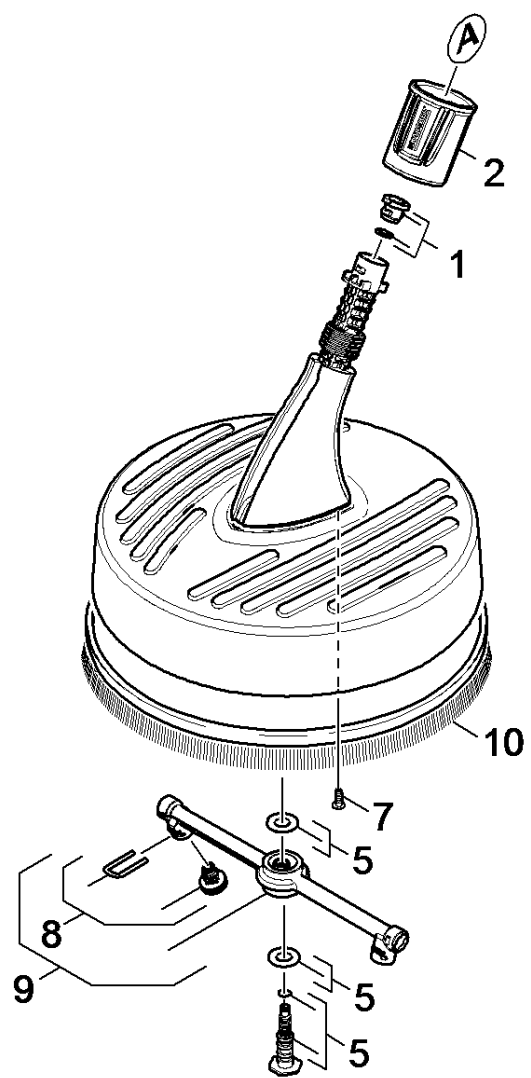
44 Hand trigger gun

ET/VT (spare/wear parts)	Pos	Material #	Name	Qty.	Unit
	1	4.775-830.0	Pistol Entry	1.000	ST
X	2	5.037-333.0	Clamp pistol Entry	1.000	ST
X	3	6.396-228.0	High pressure hose 12MPa/10 40°C NQC B	1.000	ST
X-X	4	6.363-410.0	O-Ring seal 5,7x1,78 NBR 90Shore	1.000	ST
X-X	5	2.880-990.0	Spare part set O-Ring 5x -Kaercher	1.000	ST



45 Jet pipe

ET/VT (spare/wear parts)	Pos	Material #	Name	Qty.	Unit
X-X	1	2.640-729.0	O-Ring seal set	1.000	ST
X	2	4.760-601.0	VPS K2 021 K	1.000	ST
X	3	9.750-674.0	Dirt blaster 024 CEN-St (14MPa)	1.000	ST
Position text: 1.601-681.0					
X-X	3	4.764-243.0	Dirt blaster K2 027 St	1.000	ST
Position text: 1.601-680.0 /-694.0 /-695.0 /-697.0					
	4	9.760-473.0	Sponge	1.000	ST
	5	9.760-476.0	rim brush	1.000	ST
	6	9.760-477.0	brush-bristle	1.000	ST
X-X	7	2.640-589.0	Brush lengthwise	1.000	ST



46 Surface cleaner

ET/VT (spare/wear parts)	Pos	Material #	Name	Qty.	Unit	from ser.nr.	up to ser.nr.
X-X	1	2.640-729.0	O-Ring seal set	1.000	ST	0000000000	0000000000
Position text: 1.601-695.0 /-697.0							
	2	5.310-160.0	Nut Kaercher	2.000	ST	0000000000	0000000000
Position text: 1.601-695.0 /-697.0							
	3	4.760-707.0	Jet pipe 0,4m *KNA	1.000	ST	0000000000	0000000000
Position text: 1.601-695.0 /-697.0							
	4	5.332-464.0	Pressure spring	2.000	ST	0000000000	0000000000
Position text: 1.601-695.0 /-697.0							
	5	2.883-994.0	Spare part set set of gaskets neutrally	1.000	ST	0000000000	0000000000
Position text: 1.601-695.0 /-697.0							
	7	7.303-106.0	Screw 4x12 -10.9-R2R (IN6RD)	3.000	ST	0000000000	0000000000
Position text: 1.601-695.0 /-697.0							
X-X	8	2.640-727.0	Spare parts nozzles T-Racer 015	1.000	ST	0000000000	0000000000
Position text: 1.601-695.0 /-697.0							
	9	2.884-530.0	Spare part set rotor T 50	1.000	ST	0000000000	0000000000
Position text: 1.601-695.0 /-697.0							
	10	6.369-978.0	Strip brush complete	1.000	ST	0000000000	0000000000
Position text: 1.601-695.0 /-697.0							